

INSTRUCTION SHEET FOR SPK100 UNIVERSAL MOUNT AND SPK100 FORD CROWN VICTORIA MOUNT

INSTALLER SAFETY MESSAGE

The safe installation of the Tomar SPK100 compact siren speaker is your first priority. All instructions listed here should be followed and common sense applied to each speaker installation to insure safety. TOMAR field service should be called if you have any questions.

Some important precautions and instructions:

- Installers should have a good understanding of automotive electrical and mechanical systems. The quality of work should equal or surpass OEM standards.
- Protect the vehicle components when drilling into the radiator support bar. Metal chips and sharp edges must not be left in the vehicle engine. Check to see that the drill bit will not damage surrounding components of the vehicle.
- Review instruction sheet and make sure you understand each step of the installation before you begin.
- File these instructions in a safe place for future reference.

WARNING: USE CAUTION AND HEARING PROTECTION TO AVOID HEARING DAMAGE WHEN TESTING SPK100 SIREN SPEAKER.

I. GENERAL INFORMATION

This instruction sheet provides a procedure to install the SPK100 siren speaker using the universal Bracket (provided) or the Ford Crown Victoria bracket (bought separately).

II. UNPACKING

Check to see that all components shown in Figure 1 are included. The SPK100 includes the siren speaker, a U Bracket, IS0469 installation sheet and a hardware package that includes:

- Qty. (2) 1/4" x 20 screw (H381)
- Qty. (2) 1/4" x 20 nut (H12)
- Qty. (6) 1/4" external lock washer (H14)
- Qty. (4) 1/4" x 5/8" thread forming screw (H524)
- Qty. (1) H518 Crown Vic bracket (optional)

III. INSTALLATION USING UNIVERSAL U BRACKET

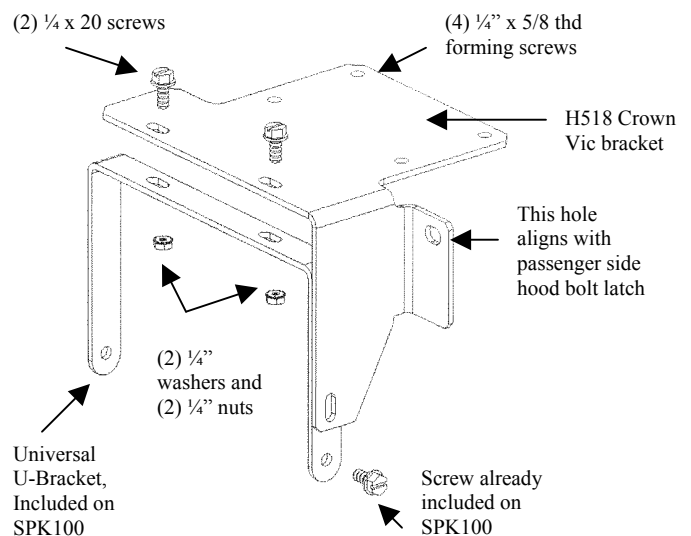
- A. Locate an area under the vehicle hood that will allow the speaker to be installed free from obstructions. **THE SPEAKER MUST BE PLACED FACING THE VEHICLE GRILLE TO AVOID SOUND LOSS. PLEASE NOTE THAT THE SPEAKER DOES HAVE A TOP AND BOTTOM (STAMPED ON BACK OF SPEAKER). THE U BRACKET SHOULD BE ADJUSTED TO EXTEND OVER THE TOP OF THE SPEAKER.**

- B. In the area of the vehicle that the speaker is to be mounted, drill 2 (two) 1/4" holes.
- C. Install the siren speaker using the (2) 1/4 X 20 screws, (2) of the lock washers and (2) 1/4" nuts provided and tighten firmly.
- D. Connect the siren speakers to power source.
- E. Inspect siren speaker periodically to ensure that bracket stays securely mounted to vehicle.

IV. INSTALLATION USING FORD CROWN VICTORIA BRACKET

NOTE: FORD CROWN VICTORIA BRACKET WILL FIT 1995 TO CURRENT YEAR FORD CROWN VICS.

- A. Attach the Crown Victoria Bracket (H518) to the SPK100 U Bracket (already attached on SPK100) as shown in Figure 1.
- B. Open the Crown Victoria hood and locate the plastic panel between the radiator support and the grille.
- C. Locate, remove and retain the plastic knobs and remove panel.
- D. Locate, remove and retain the passenger side hood latch bolt.
- E. Align H518 bracket hood latch hole with the hood latch hole. Replace bolt.
- F. Using the H518 Crown Vic bracket as a template, drill 4 (four) 3/16" holes into the radiator support bar.
- G. Place 4 (four) 1/4" x 5/8" thread forming screws and lock washers into the holes just drilled.
- H. Connect the siren speaker wires to power source.
- I. Re-install plastic panel and replace the plastic knobs.



TOMAR ELECTRONICS, INC.
2100 W. OBISPO AVE.
GILBERT, AZ 85233 USA
(800) 338-3133 FAX (800) 688-6627
WWW.TOMAR.COM