

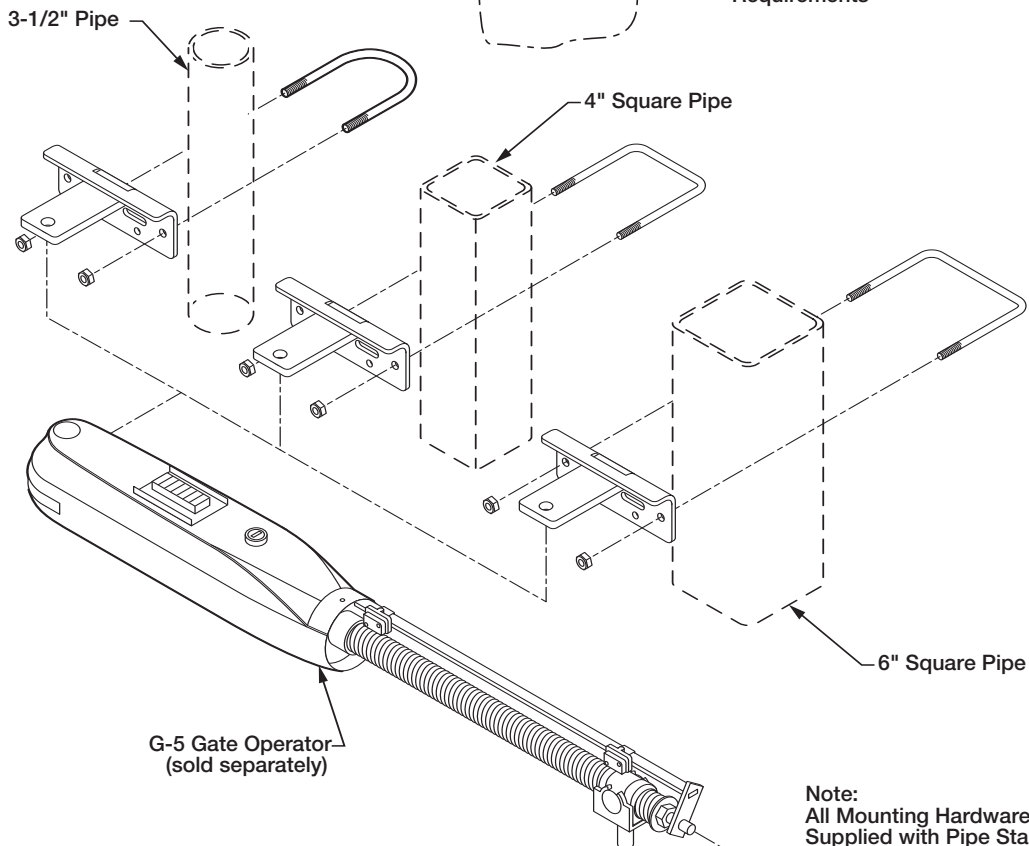
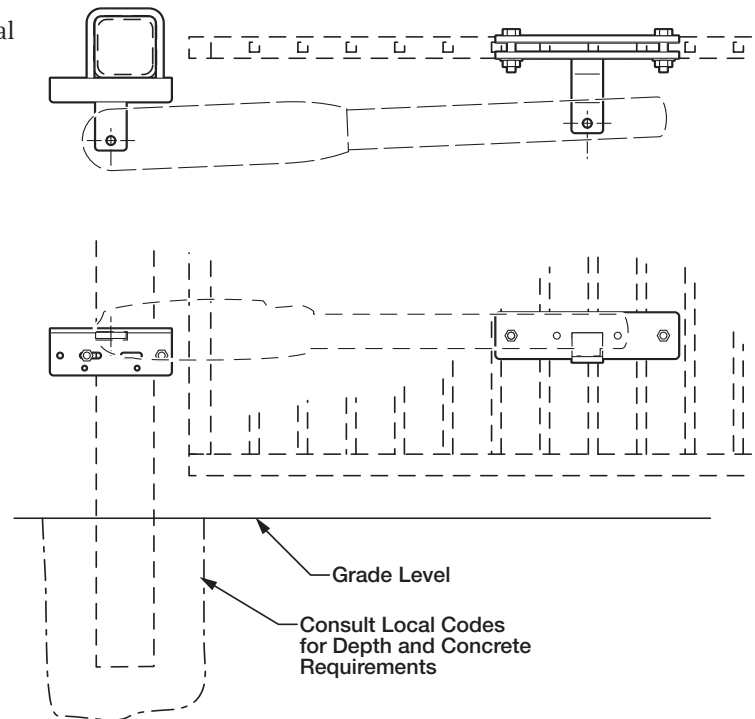
VIKING PIPE STAND *Part No. VA-????*

For Viking G-5 Vehicular Gate Operator

Standard Features

- Main pieces made of 1/4" thick material
- All hardware included

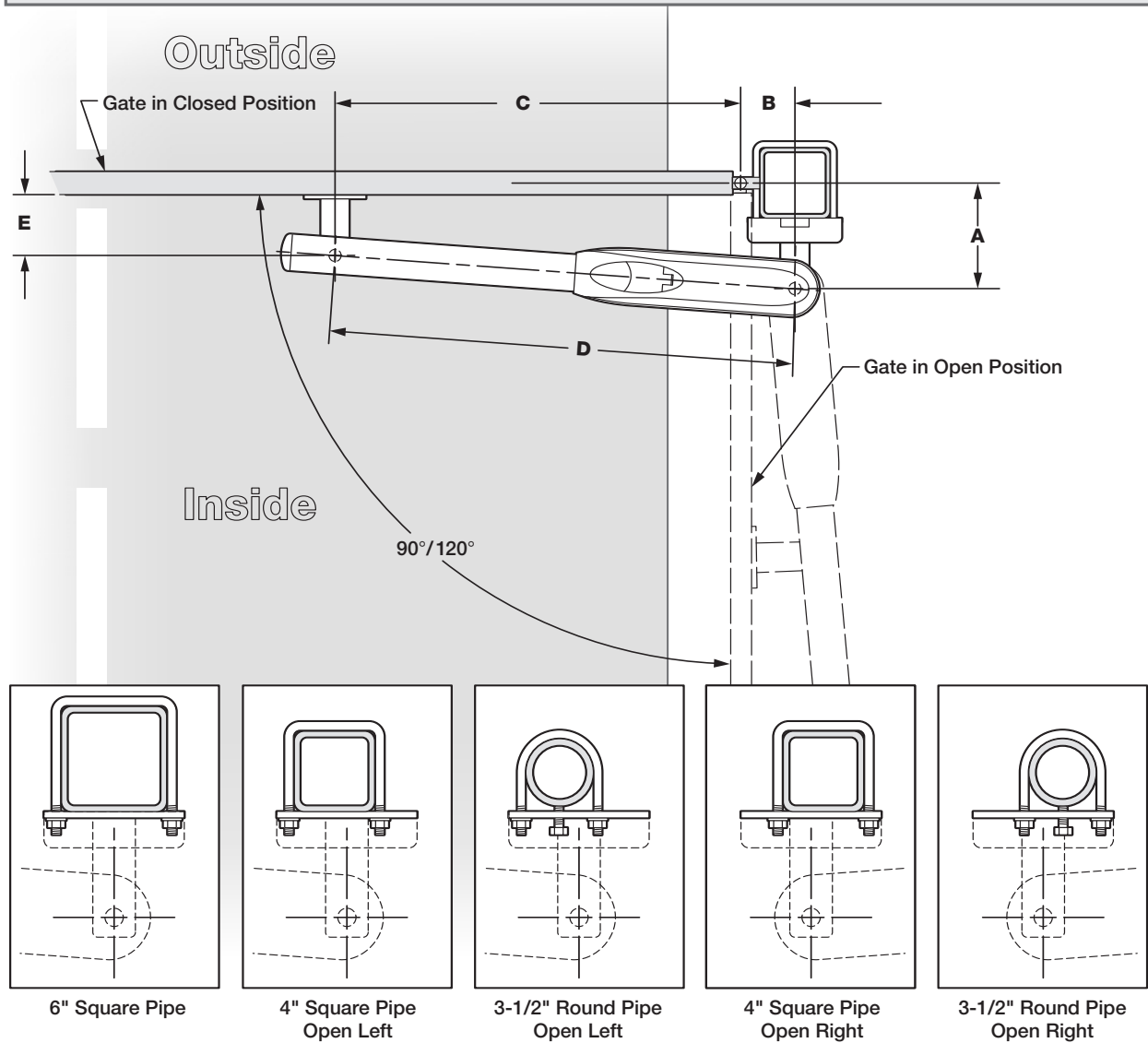
When installing the Pipe Stand Assembly be sure it is parallel to the gate and that it is level. For further details see the G-5 installation manual.



PLAN OF INSTALLATION - OPEN INSIDE

The gate must be installed in a location so that enough clearance is supplied between the gate and adjacent structures when opening and closing to reduce the risk of entrapment.

Swinging gates shall not open into public access areas.



Range	NORMAL INSTALLATION					Opening Time
	A	B	C	D	E	
Option A	6.00	4.50	27	31.5	4.75	14 seconds
Option B	6.625	7.875	28	35.875	4.75	20 seconds

Figure A
Open Inside Plan of Installation

Note: Varying from the dimensions shown may severely affect the speed and performance of the gate operator.

