



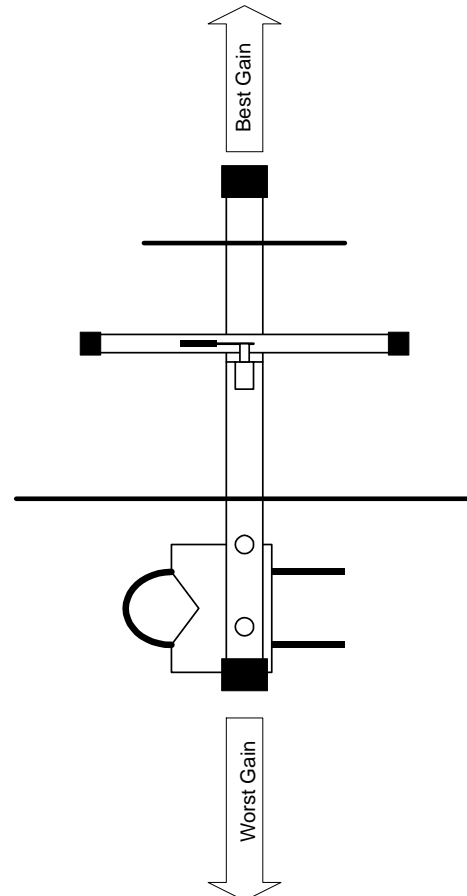
Installation Instructions for Yagi High-Gain Antenna

DoorKing's Yagi antenna is designed to increase the range of hand held RF transmitters of the type used in automated vehicular gate applications. These antennas can be used with any manufacture of radio controls using "F" type antenna connections. Two antennas are available: the 1514-072 is used with receivers in the 300-330 MHz range, and the 1514-071 is used with receivers in the 410-430 MHz range.

As compared to the standard whip antenna, the DoorKing Yagi antennas are directional. From the front of the antenna, the range will typically be three (3) times the range of the whip antenna. From the back, the range will be slightly less than the whip antenna. These antennas are best suited for one-way traffic applications because of their directional nature.

CAUTION!! - Keep the antenna and mounting pole away from overhead electrical wires. Electrocutation can result.

1. Mount the antenna as high as possible (at least 8 feet) and away from any metal that can block the RF signal. Mounting mast is not supplied with the antenna. Direct line of sight between the transmitter and the antenna is best.
2. Point the antenna toward the direction that the best reception (greatest range) is desired.
3. Mount the antenna with its elements horizontal if the transmitters will typically be clipped to a vehicles sun visor. Mount the antenna with its elements vertical if key chain type transmitters are used. NOTE: Generally, best reception is obtained if the elements of the antenna are in the same plane as the antenna in the transmitter.
4. Connect one end of the supplied 15 ft. coax cable to the antenna.
5. Slide the connector cover over this connector to protect it from the weather.
6. Connect the other end of the cable to the receiver being used.



DoorKing transmitters and receivers operate at 318 MHz and 418 MHz. If greater range is desired, use the DoorKing "Amptenna" antenna amplifier. Be sure to specify which frequency since these devices have a very narrow frequency range.