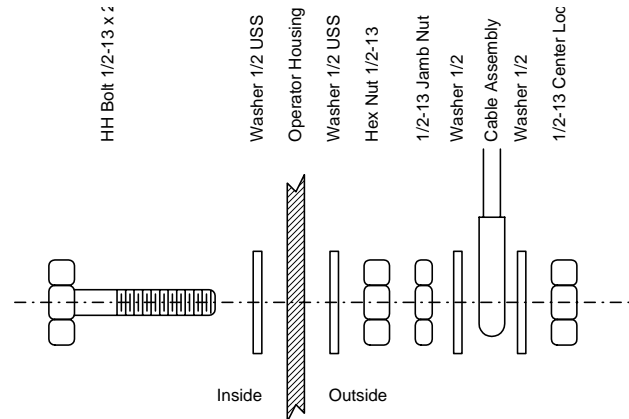




Plastic Arm Folding Kit Installation Instructions

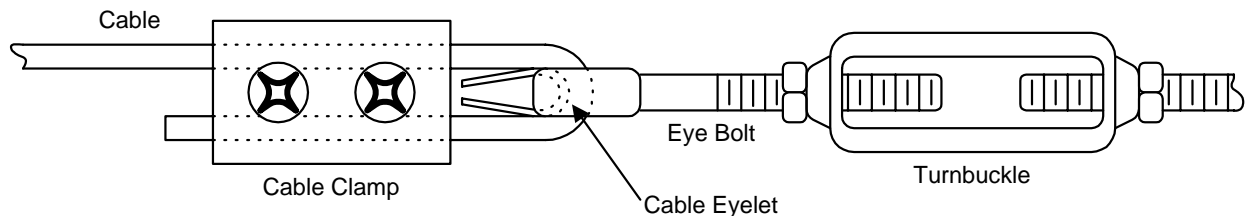
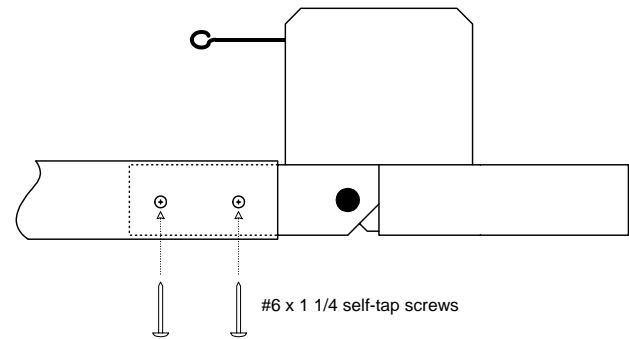
ANCHOR BOLT INSTALLATION

1. Remove the hole-plug from the side of the 1601 operator that the arm is to be installed on.
2. Install the anchor bolt as shown. Be sure to place the cable assembly with the pre-crimped end between the two-½ inch washers as shown.

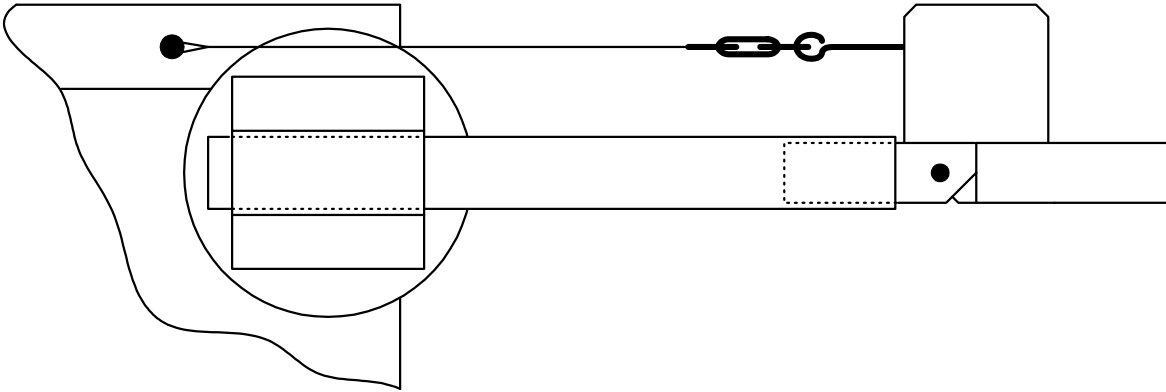


ARM AND BRACKET INSTALLATION

1. Be sure that the plastic-arm mounting bracket is installed as described in the 1601 installation manual.
2. Cut the plastic arm to the desired length.
3. Install one half of the arm into the arm bracket on the 1601 operator. Be sure that the bracket is positioned to install the arm in the **DOWN** position.
4. Install the folding bracket assembly onto the other end of this arm and secure it with four (4) #6 x 1-¼ self-tap screws supplied.
5. Screw the turnbuckle onto the eyebolt attached to the folding arm bracket.
6. Adjust the turnbuckle so that there is adjustment left to allow you to loosen or tighten the cable assembly.
7. Insert the remaining end of the cable that was attached to the 1601 operator through the remaining eyebolt on the turnbuckle and secure it with the cable clamp supplied.
8. Be sure to install the cable eyelet as shown.



9. Adjust the cable so that it is level as shown in the diagram below.



FINAL INSTALLATION AND ADJUSTMENT

1. Install the remaining half of the plastic arm onto the folding bracket assembly. Secure with four (4) #6 x 1 1/4 self-tap screws supplied.
2. Rotate the arm to the UP position. Be sure that the cable is not binding and that the arm freely goes up.
3. Rotate the arm back to the down position. Once you are sure that the cable is adjusted correctly, tighten the screws on the cable clamp and trim off the excess cable.

